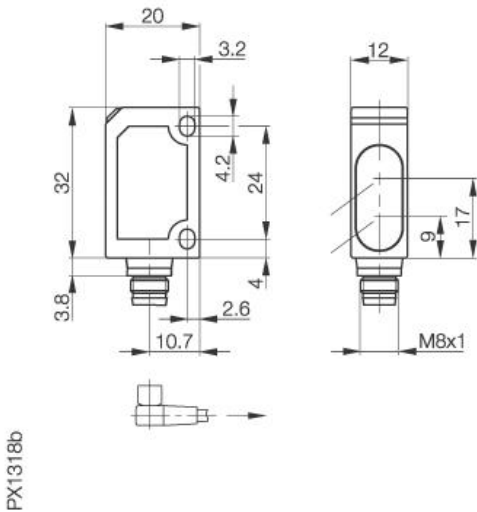


# Photoelectric Sensor BLE 6K-PU-1E-S 75-C Sn=6000mm through-beam



## Common Data

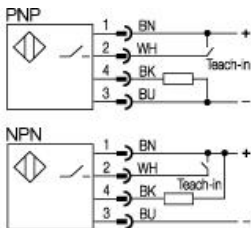
Series	6K
Sensortype	through-beam
Switching frequency	500 Hz
Rated operating distance Sn in mm	6000
asured operating distance Sa	adjustable
Indication Supply Voltage	yes, green LED
Indication Switching element on	yes, yellow LED
Indication Special funktion	yes, green LED
Ambient temperature	-20...+60°C
On-delay	<1ms
Off-delay	<0,5ms
Light	Red light
Sensitivity Adjustment	Teach in
Permissible ambient light	5000 Lux
Output function	light-on or dark-on

## Mechanical Data

Measurements	32x20x12
Shock	Halfsinus, 30gn, 11ms
Vibration	10...55Hz, 1,5mm Amplitude 3x2h
Housing material	ABS impact resistant
Material of sensing face	PMMA
Degree of protection	IP67
Connection	Connector S75 (M8,4-pin)
Weigth	40g
Recommended connector	BKS-S75

## Electrical Data

Current	DC
Switching function	NO/NC
Output	PNP
Rated operational voltage Ue	24V DC
Rated operational current Ie	100mA
Supply Voltage	10...30V DC
Ripple	< 10% from UB
Frequency of Supply Voltage	DC
No-load supply current	<35mA
Voltage drop	<2,4V
Short protection	yes
Protected against polarity reversal	yes
Rated insulation voltage	250V AC
max. Load capacity	0,33µF



Utilization categories  
Insulation class

Datasheet number:

Definitions see general catalog.  
If not otherwise noted, ratings according to  
IEC 60947-5-2 (DIN EN60947-5-2)

Balluff GmbH  
Schurwaldstrasse 9  
73765 Neuhausen a.d.F.  
Phone (07158) 173-0 Fax (07158) 5010

Datenblatt by CD-ROM - 04/2007

**BALLUFF**  
sensors worldwide